

SPECIFICATION FOR APPROVAL



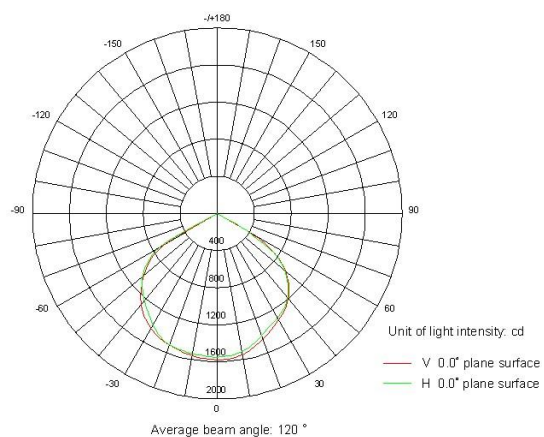
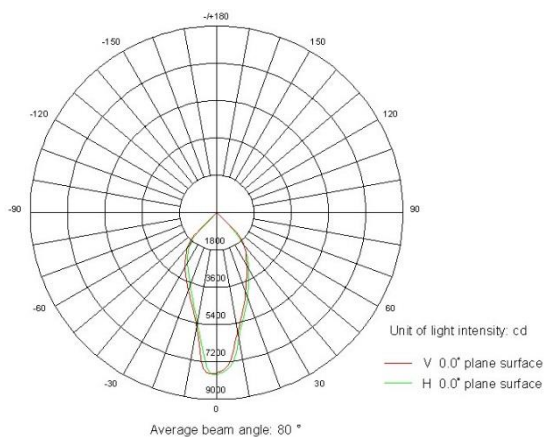
Introduction

High power LED high bay light, using high brightness LED chip, high transmission radiator, lamp shade adjusting beam angle. It can be widely used in energy-intensive, large amount electricity, long time using electricity environment, it can solve industrial waste electricity effectively.

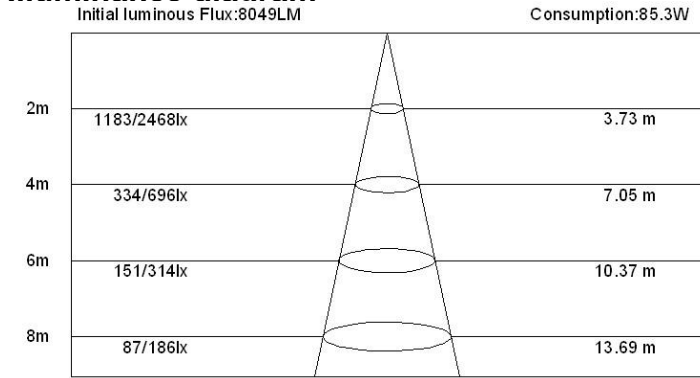
Technical Data

Model	LM-001-BLFCCW-80W
Power	80W
CCT	3000-3500K/4000-4500K/6000-7000K
LED chip	Bridgelux, U.S.A
Lumen Maintenance	L80
Driver	Mean Well
Input Voltage	220VAC
Luminous flux	8000LM
Luminous efficiency	100lm/w
Driver efficiency	>0.9
Power factor	>0.97
CRI	Ra≥80
Beam Angle	80°/ 120°
Insulation grade	Class I
Working Tem.	-30~+50°C
Heat Sink	6063 AL
Lamp Shade	1070AL grinding inside,polishing outside
Light body color	Black/silvery
N.W.	5.9KG
Life Span	>50,000 Hours
IP Grade	IP 65
Warranty	5 years

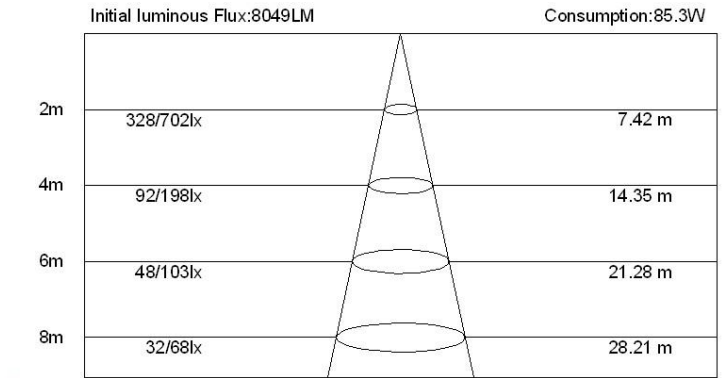
Luminance distribution



Illuminance diagram

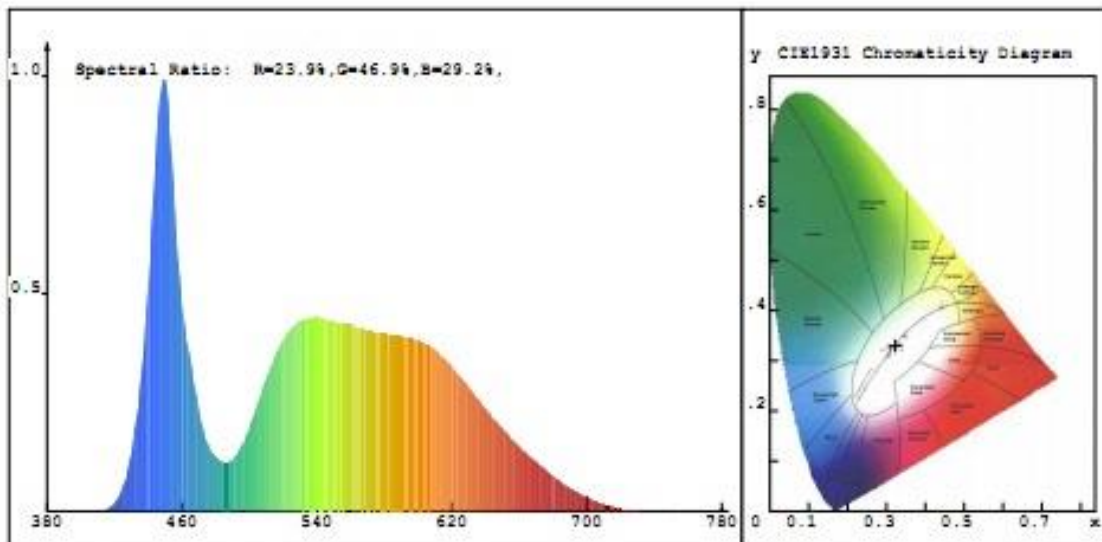


With 80 Degree Reflector



With 120 Degree Reflector

Whole Lamp Test Report



Chroma Parameters

Chro.Coord.:x=0.3231 y=0.3295 u=0.2049 v=0.3134 duv=-0.0017
 CCT: 5959K Dominant Wave.:486.8nm Purity:3.8%
 Flux RGB Ratio:R=14.7%,G=82.2%,B=3.2% Peak Wave:449.7nm Half Width:19.7nm

Rending Index:Ra= 81.2

R1 =83 R2 =83 R3 =80 R4 =83 R5 =82 R6 =76 R7 =87 R8 =75
 R9 =20 R10=57 R11=83 R12=51 R13=83 R14=89 R15=81

Photo Parameters

Flux:7165.76lm Effi.:85.0lm/W Radiant:25706.2mW Iv:0.0mcd

Ele. Parameters

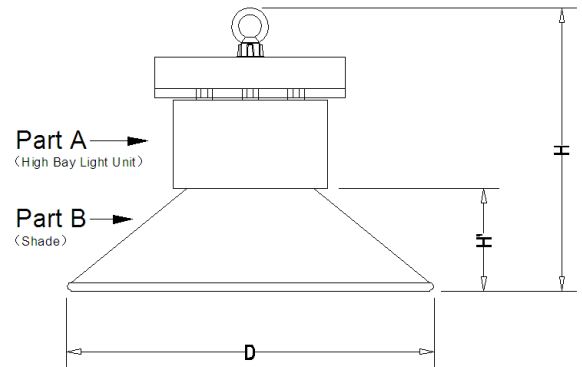
Voltage:U=221.200V Current:I=0.3990A
 Power:P=84.29W Power Factor:PF=0.955

Instrument state

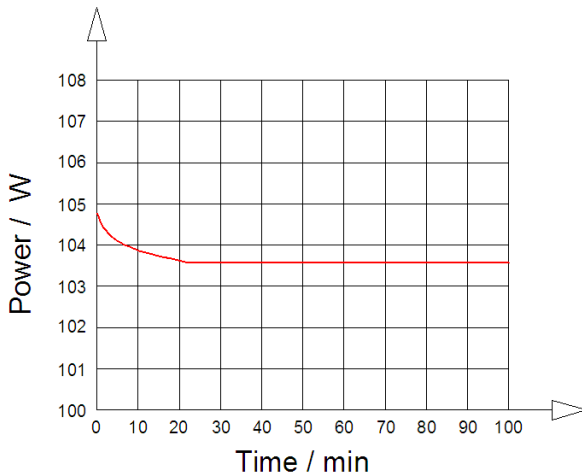
Instrument:Hopoo HP8000 Integral Time: 2.715ms VPeak: 13321
 VDark: 1127 Scan Range: 380-780nm Product ID: 201301252

Outer Size Diagram

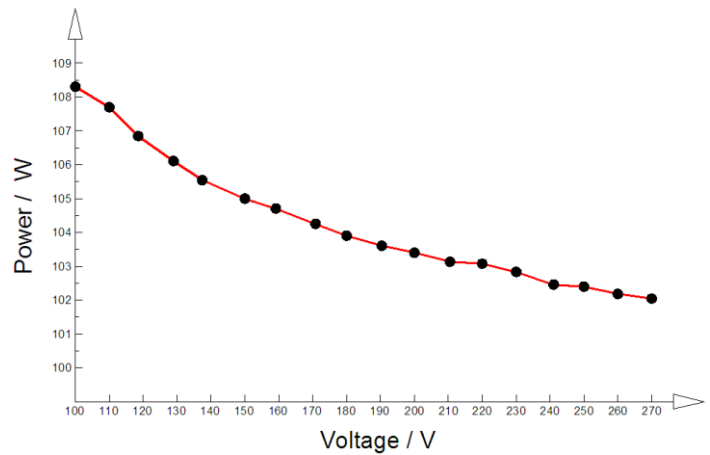
Model	Lamp Shade	H (mm)	H' (mm)	D (mm)
LM-001-BLFCCW-80W	80°	500	260	∅ 420
LM-001-BLFCCW-80W	120°	385	145	∅ 500



Power / Time



Power / Voltage



Packaging

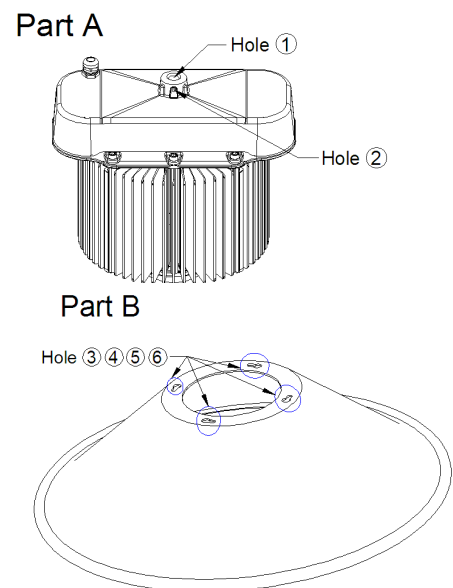
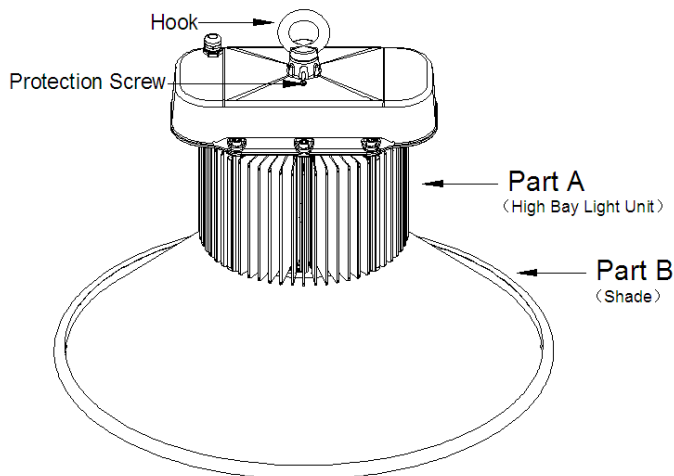
Separately package between LED high bay light body (PART.A) and lamp shade (PART.B).

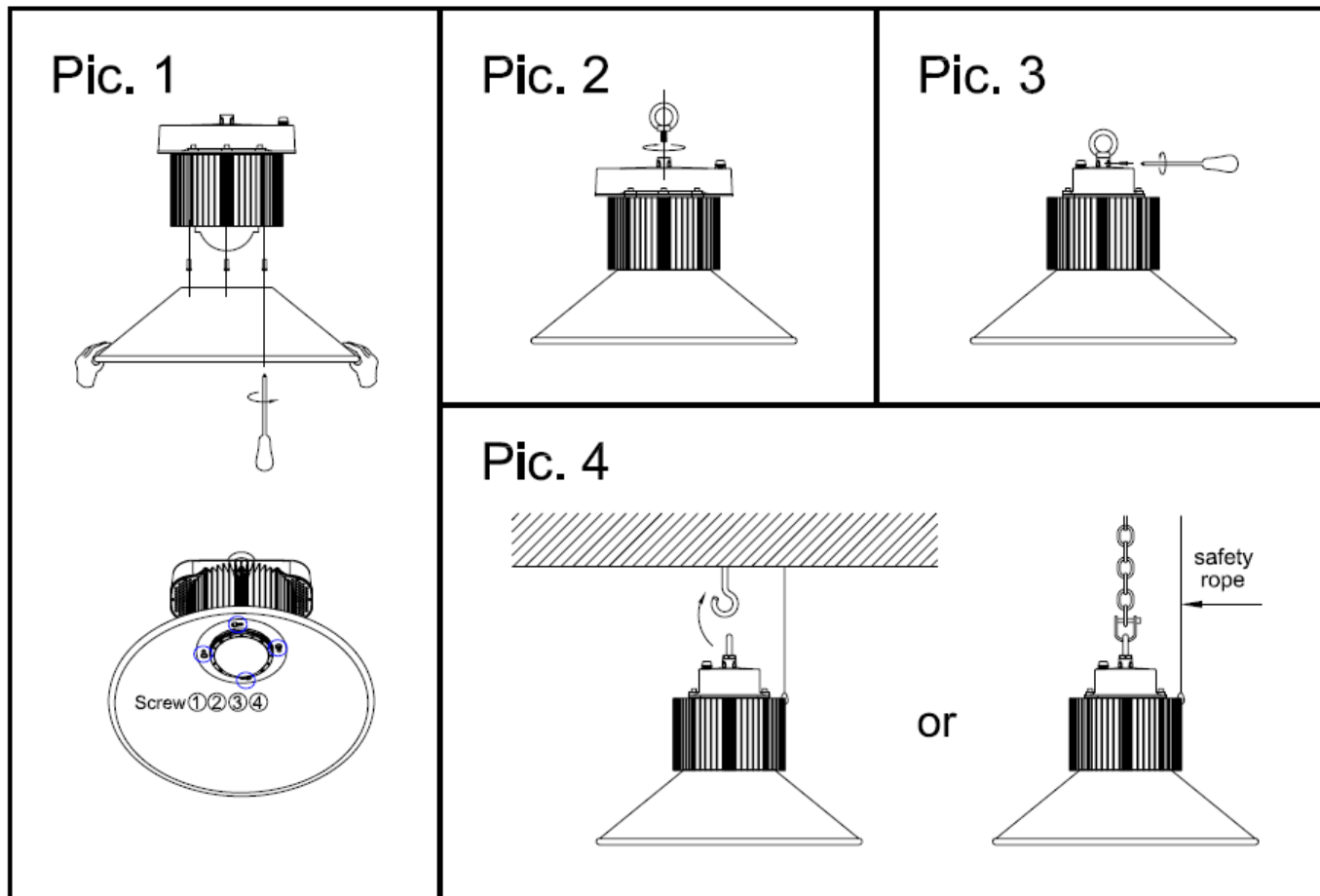
PART A : 30.0x24.5x32.5cm (1pcs/Box)

PART B : 120° 52.5x52.5x29.0cm (20pcs/ctn)

Installation

Function indicator diagram:





Installation Instruction:

Steps:

1. Installation lamp shade: Firstly loose the screws ①②③④, set the lamp shade hole ③④⑤⑥ correspondingly to the four screws, then spin the lamp shade anticlockwise to assure it, tighten the bolts finally; (as Pic. 1)
2. Installation hook: Screw the hook into hole clockwise ①. (as Pic. 2)
3. Installation the protection screw: Screw M4*16 into hole ②, assure tighten it well. (as Pic. 3)
4. Installation lamp: Suspend the lamp under hook or chain, and install the other device with safety rope hanging.(as Pic. 4)

hanging.(as Pic. 4)

Note: Bearing (hooks or chains) must be less than the length of the safety rope, safety rope length must be less than the length of the power cord.

Install Caution

1. Installation should be done by professional electricians;
 2. Please make sure all power is turned off before installation completed.
 3. Please ensure the power supply wire grounding is normal.
 4. Please ensure the hook tighten well;
 5. When connecting wires, don't make any frictions or drop off the product, otherwise will cause damage.
 6. Be sure to install the lights correctly, the power cord bare wire must be connected with insulation protection.
 7. When connecting wires, should clearly know Neutral wire, Earth wire and Live wire to assure safety.
- After examination, switch on.

Innovative Forced Cooling System®

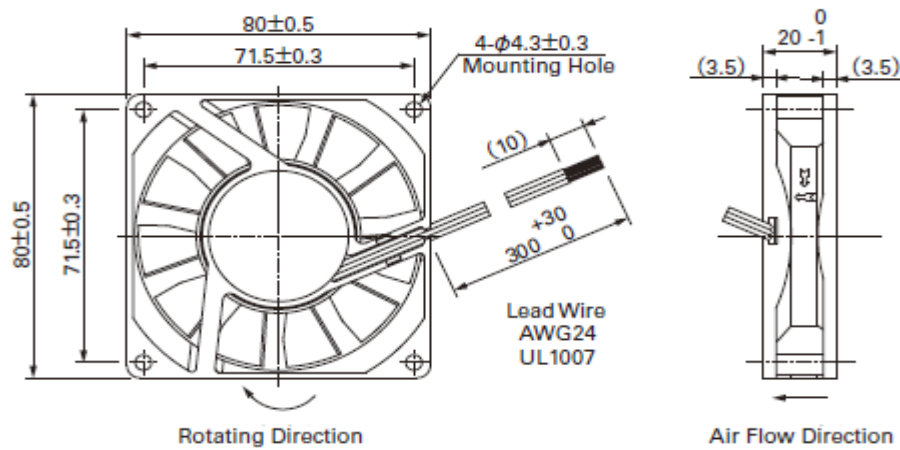
Salient Features

- Material Frame: Plastic (Flammability: UL94V-0),
- Impeller: Plastics (Flammability: UL94V-1)
- Expected Life : > 50,000 Hrs ; Survival rate:90% at 60°,C
- rated voltage, and continuously run in a free air state
- Lead Wire + red - black or blue , Sensor yellow
- Storage Temperature from -10°C up to 70° C

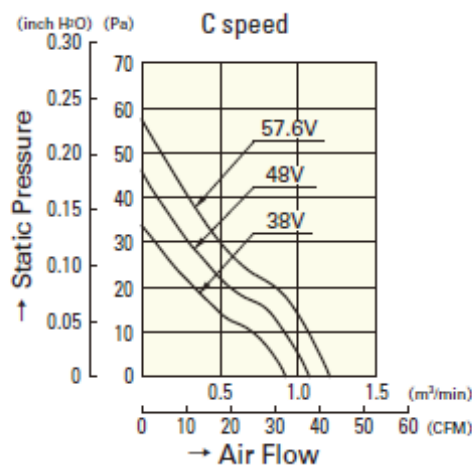
Technical Data

Sl. No.	Rated Voltage [V]	Operating Voltage Range[V]	Rated Current [A]	Rated Input [W]	Rated Speed [min ⁻¹]	Max. Air Flow [m ³ /min]	Max. Air Flow [CFM]	Max. Static Pressure [Pa]	Max. Static Pressure [inchH ₂ O]	SPL [dB(A)]	Operating Temp. [°C]	Expected Life [h]
#NA	DC 48	DC 36	0.08	3.84	3,700	1.07	37.8	37	0.185	39	-10 to 70	> 50,000

Dimensions



Air Flow – Static Pressure Characteristics



Trouble removal & Maintenance

- **Trouble removal (Nonprofessionals should not disassemble the lamp.)**

Fault finding and solutions: When examination, observe any change in color circumstances at LED source appearance or damage, any obvious breakage of connections, loose power supply connections, any short circuit, any obvious damage condition please replace with new LED source or driver.

Defect	Possible factors	Solutions
LED source not bright	Wrong connecting wires	Loose the screws, re-connecting the wires
	LED source damage	Replace LED source
	Power failure	Replace LED driver
LED source flicker	Virtual power supply connecting	Loose the screws, re-connecting the wires
	Input voltage fluctuation	Confirm input voltage
	Power failure	Replace LED driver

Ordering Information

SI.No.	Item/Part/Component	Part Number	Option
01	Complete Light Fixture	LM-001-BLFCCW-80W	-NA-
02	LED Light Engine	LM-001-BLSPBC80	CCT : 2700-3000K
			CCT : 4000-4500K
			CCT: 6000-7000K
03	LED Solid State Drive	LM-001-HLG150MW	Non Dimmable
			Dimmable
04	Innovative Forced Cooling System	LM-001-BLSPF	-NA-
05	LED Heat Sink	LM-001-BLSPHS	
06	Lighting Optics /Diffuser Lens	LM-001-BLSPDF	-NA-
07	Aluminum Reflector	LM-001-BLRF80 LM-001-BLRF120	80°
			120°
08	Universal Hanging Ring	LM-001-BLSPHR	-NA-

Maintenance

1. Please make sure all power turned off before maintenance.
2. Clean the reflecting surface periodically, to keep good reflectivity.
3. Clean the lamp heat sink periodically, to keep good heat dissipation.
4. Clean with dry cloth, don't use water or corrosive liquid.

When replace driver, connect the wires as follows: AC Power supply three core wires, connect power input : brown line connect with the "L", blue line connect with the "N" , yellow-green or yellow line connected into the lamp body of insulation. Light source lead to connect power output: the red connection with the light source is the positive (red line), the black thread and the light source cathode (black line), positive and negative must not be connected wrong.

Product Attribute

- Adopts single LED module source design, high thermal conductivity, low lumens depreciation and uniform light color.
- High PFC, Long lifespan >50000 hours, low carbon and lead free.
- Resistance to fluctuation
- Protection with short circuit, over current, over voltage and over temperature;
- 100% full capacity aging testing;
- Instant start-up
- Excellent appearance design, easy installation, easy disassembly, and wide application.

Warranty clause

- **Product warranty**

Lyte Master GmbH warranty the products within 3 years from delivering to customers, we will be responsible for repair and replacement, if any conditions such as not bright or flicker of LED source under right preservation, installation, usage and maintainance.

- **Disclaimer and limitation**

1. Under any circumstances, any quality problems compensation should be within the warranty period.
2. The product warranty does not include: Product damage caused by.
 - 2.1 The negligence of storage, transportation or improper handling.
 - 2.2 Incorrect operation or not proper usage of product.
 - 2.3 Any damage caused by repair or modifications from unauthorized person.
 - 2.4 Caused by the forces of nature, irresistible factors of product damage, such as Earthquakes, typhoons, tornadoes, volcanic eruptions, floods, lightning, heavy snow, war, etc
3. If the product serial number has been changed, altered or blur, it will no longer enjoy the corresponding Warranty.
4. This warranty is not responsible for repair or replacement of the transport, customs clearance fee.

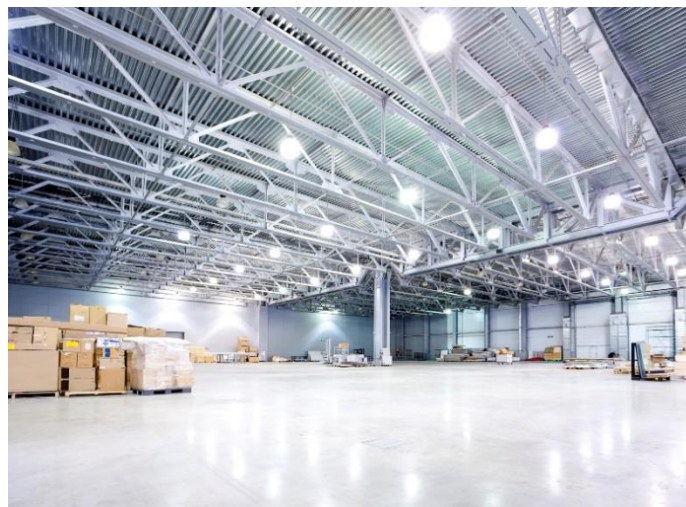
Technical support:



Application

Workshop, warehouse, toll station, gas station, supermarket, exhibition hall, gymnasium and other indoor illumination places.

Not suitable places: Outdoor, High dust, high oil, inflammable, or low noise required places.



Notes:

Non-professionals are not allowed to disassemble and maintain the products. We have the right not to provide after-sale service if unauthorized disassembly and maintenance happens to the products.