

FEATURES

- Housing: High Pressure Die-cast aluminum
- Diffuser: Tempered glass / PMMA
- Light Source: BridgeLux/Cree/ Philips
- Life Span: 50,000 Hrs
- Operating Temp: -20°C to 45°C
- Solar Panel: High Efficiency monocrystalline silicon
- Solar Charge Controller: PWM/MPPT 10A
- Control Option: Programmable dimming & Sensor function
- Battery: LiFePO4 Lithium battery
- Capacity: Upto 1300wh

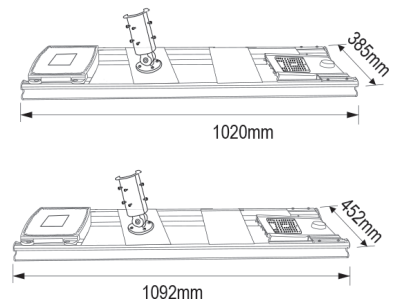
Manufactured in accordance with all International Standards

Description

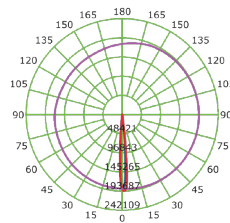
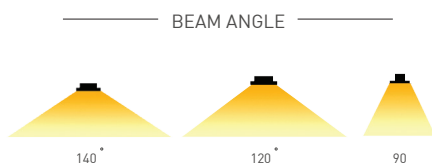
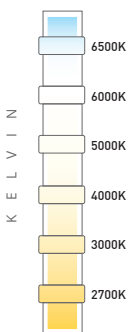
Lyte Master Xtreme Solar Street light is an integrated model designed for pathway and main street lighting, which integrates a lithium battery and smart controller into the light head that can provide up to 7,600 lumens and 24 hours of battery backup in a completely automated operation with solar panels integrated on the pole. Light luminaires are designed to be durable, long life, easy installation and low maintenance. Xtreme Street light model is made with high pressure aluminium die cast housing with high efficiency and completely corrosion resistance body and stainless-steel accessories with high quality Bridgelux LEDs.

Area of Application

Street Light, Road Light & Area Lighting



Product Model	Total Power	Lumen	CCT	Dimension LxWxH
LM-002-SSIB2CW-60W	60W	7200 Lm	6000K	1020x385x58mm
LM-002-SSIB2NW-60W	60W	7200 Lm	4000K	1020x385x58mm
LM-002-SSIB2WW-60W	60W	7200 Lm	3000K	1020x385x58mm
LM-002-SSIB2CW-80W	80W	9600 Lm	6000K	1020x385x58mm
LM-002-SSIB2NW-80W	80W	9600 Lm	4000K	1020x385x58mm
LM-002-SSIB2WW-80W	80W	9600 Lm	3000K	1020x385x58mm
LM-002-SSIB2CW-100W	100W	12000 Lm	6000K	1092x452x58mm
LM-002-SSIB2NW-100W	100W	12000 Lm	4000K	1092x452x58mm
LM-002-SSIB2WW-100W	100W	12000 Lm	3000K	1092x452x58mm
LM-002-SSIB2CW-120W	120W	14400 Lm	6000K	1092x452x58mm
LM-002-SSIB2NW-120W	120W	14400 Lm	4000K	1092x452x58mm
LM-002-SSIB2WW-120W	120W	14400 Lm	3000K	1092x452x58mm
LM-002-SSIB2CW-150W	150W	18000 Lm	6000K	1092x452x58mm
LM-002-SSIB2NW-150W	150W	18000 Lm	4000K	1092x452x58mm
LM-002-SSIB2WW-150W	150W	18000 Lm	3000K	1092x452x58mm



IK10			
IP66	DALI	1-10 DIMMING	PHASE DIMMING
LM-80	LED	COB	
CRI >90	RoHS	CE	Series Wiring
85-265V 50/60Hz			
LED DRIVERS	TRIDONIC	Lyte Master	LED CHIPS: bridgeLux, CREE+