



## Description

The Underwater Wave uses LED technology to deliver powerful illumination and high energy efficiency. With very high lumen density and wider light distribution angles the Wave is an excellent light source for swimming pool illumination. Available with either 5° or 12.5° tilt, the wider fill of light not only enhances aesthetics but also increases safety.

## FEATURES

Housing: Marine grade 316 Stainless Steel.

Diffuser: Tempered Glass.

Light Source: BridgeLux USA

Life Span: 50,000 Hrs

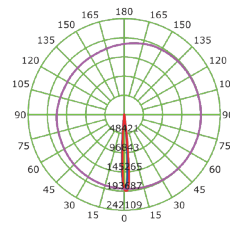
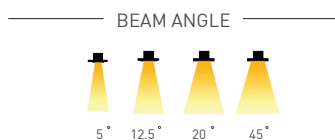
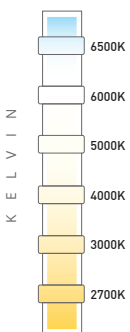
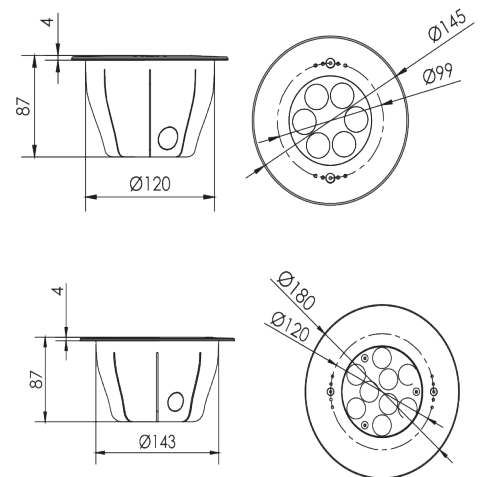
Operating Temp: -20°C to 50°C

**Manufactured in accordance with all International Standards**

## Area of Application

Wall Mounted, Outdoor, Pillar Mounted

Product Model	Total Power	Lumen	CCT	Dimension DxH	Cut-Out
LM-002-UCWL8RGB-7W	7W	700 Lm	RGB	145x87H	Dia120mm
LM-002-UCWL8RGB-10W	10W	1000 Lm	RGB	145x87H	Dia120mm
LM-002-UCWL8RGB-12W	12W	1200 Lm	RGB	180x87H	Dia143mm
LM-002-UCWL8RGB-16W	16W	1600 Lm	RGB	180x87H	Dia143mm



IK08			
IP68	DALI	1-10 DIMMING	PHASE DIMMING
LM-80	LM-80	LED	SMD
CRI >90	RoHS	CE	Series Wiring
85-265V   50/60Hz   DC 24V			
LED DRIVERS	TRIDONIC	Lyte Master	LED CHIPS: BRIDGELUX, CREE