



Description

The Underwater Spalsh is a compact, surface mounted fountain light designed for high-performance applications. Constructed of both Stainless steel and high-strength polymer, the Splash represents the next generation of compact fountain lighting. Higher power options and more control, as well as high-resolution colour changing options are featured in this luminaire.

FEATURES

Housing: Marine grade 316 Stainless Steel.

Diffuser: Tempered Glass.

Light Source: BridgeLux USA

Life Span: 50,000 Hrs

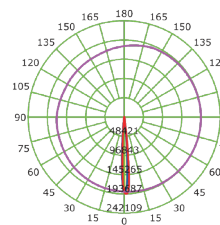
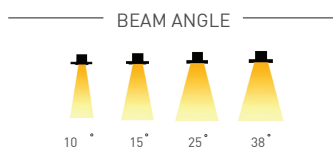
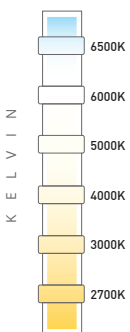
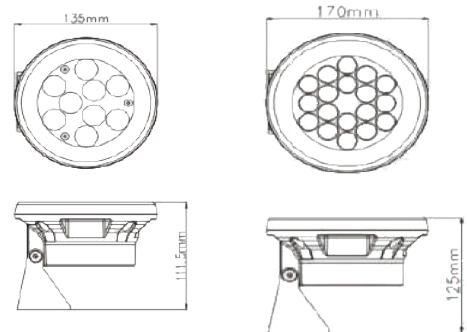
Operating Temp: -20°C to 50°C

Manufactured in accordance with all International Standards

Area of Application

Wall Mounted, Outdoor, Pillar Mounted

| Product Model | Total Power | Lumen | CCT | Dimension DxH |
|---------------------|-------------|---------|-----|---------------|
| LM-002-UWS5BRGB-12W | 12W | 1200 Lm | RGB | 135x115H |
| LM-002-UWS5BRGB-18W | 18W | 1800 Lm | RGB | 135x115H |
| LM-002-UWS5ARGB-24W | 24W | 2400 Lm | RGB | 170x125H |
| LM-002-UWS5ARGB-33W | 33W | 3300 Lm | RGB | 170x125H |



| | | | | | |
|-------------|-------|----------|-------------------|---------------|---------------|
| IK08 | DALI | | | 1-10 DIMMING | PHASE DIMMING |
| IP68 | LM-80 | LED | SMD | Series Wiring | |
| CRI >90 | RoHS | CE | 85-265V 50/60Hz | | |
| LED DRIVERS | | TRIDONIC | Lyte Master | | |