



Description

The Underwater Coral is a high-performance fountain light utilizing LED technology. The durable 316 marine grade stainless steel housing and long life LED are an ideal combination. A simple and robust design allows for easy luminaire installation and there is virtually no need for maintenance. Coral has the added advantage of being supplied factory sealed, with no requirement to open the luminaire during installation. This luminaire can operate in very shallow water.

FEATURES

Housing: Marine grade 316 Stainless Steel.

Diffuser: Tempered Glass.

Light Source: BridgeLux USA

Life Span: 50,000 Hrs

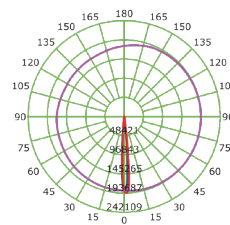
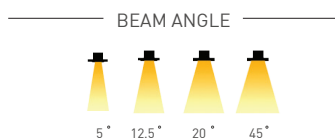
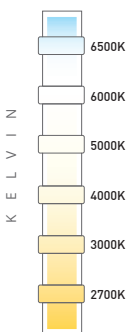
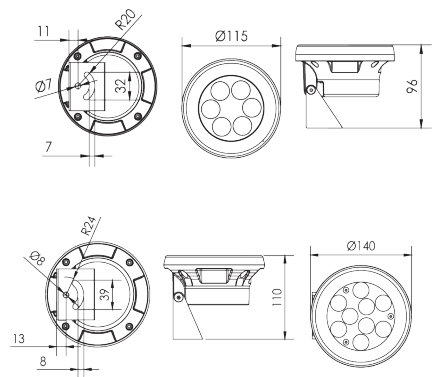
Operating Temp: -20°C to 50°C

Manufactured in accordance with all International Standards

Area of Application

Wall Mounted, Outdoor, Pillar Mounted

Product Model	Total Power	Lumen	CCT	Dimension DxH
LM-002-UWX3WCW-7W	7W	700 Lm	6000K	115x96H
LM-002-UWX3WNW-7W	7W	700 Lm	4000K	115x96H
LM-002-UWX3WWW-7W	7W	700 Lm	3000K	115x96H
LM-002-UWX3WCW-10W	10W	1000 Lm	6000K	115x96H
LM-002-UWX3WNW-10W	10W	1000 Lm	4000K	115x96H
LM-002-UWX3WWW-10W	10W	1000 Lm	3000K	115x96H
LM-002-UWX3WCW-12W	12W	1200 Lm	6000K	140x110H
LM-002-UWX3WNW-12W	12W	1200 Lm	4000K	140x110H
LM-002-UWX3WWW-12W	12W	1200 Lm	3000K	140x110H
LM-002-UWX3WCW-16W	16W	1600 Lm	6000K	140x110H
LM-002-UWX3WNW-16W	16W	1600 Lm	4000K	140x110H
LM-002-UWX3WWW-16W	16W	1600 Lm	3000K	140x110H



IK08	DALI	1-10 DIMMING	PHASE DIMMING
IP68	LM-80	LED	SMD
CRI >90	RoHS	CE	Series Wiring
85~265V 50/60Hz DC 24V			
LED DRIVERS	MW	TRIDONIC	Lyte Master