

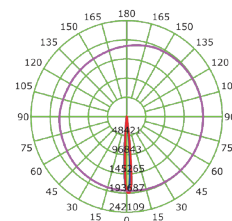
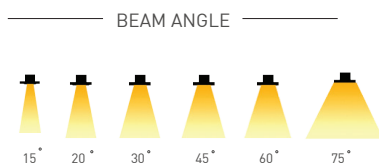
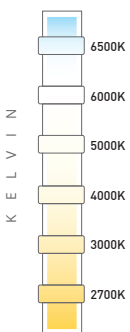


FEATURES

- Housing: Extruded Aluminium.
- Diffuser: Tempered Glass.
- Reflector: PMMA Lens
- Light Source: BridgeLux USA
- Life Span: 50,000 Hrs
- Operating Temp: -20°C to 50°C

Manufactured in accordance with all International Standards

Product Model	Total Power	Lumen	CCT	Dimension DxWxH
LM-010-FLP3CW-15W	15W	1650 Lm	6000K	150x224x193mm
LM-010-FLP3NW-15W	15W	1650 Lm	4000K	150x224x193mm
LM-010-FLP3WW-15W	15W	1650 Lm	3000K	150x224x193mm
LM-010-FLP3CW-20W	20W	2200 Lm	6000K	150x224x193mm
LM-010-FLP3NW-20W	20W	2200 Lm	4000K	150x224x193mm
LM-010-FLP3WW-20W	20W	2200 Lm	3000K	150x224x193mm
LM-010-FLP3CW-30W	30W	3300 Lm	6000K	180x229x223mm
LM-010-FLP3NW-30W	30W	3300 Lm	4000K	180x229x223mm
LM-010-FLP3WW-30W	30W	3300 Lm	3000K	180x229x223mm
LM-010-FLP3CW-45W	45W	4950 Lm	6000K	210x224x253mm
LM-010-FLP3NW-45W	45W	4950 Lm	4000K	210x224x253mm
LM-010-FLP3WW-45W	45W	4950 Lm	3000K	210x224x253mm
LM-010-FLP3CW-60W	60W	6600 Lm	6000K	260x275x303mm
LM-010-FLP3NW-60W	60W	6600 Lm	4000K	260x275x303mm
LM-010-FLP3WW-60W	60W	6600 Lm	3000K	260x275x303mm
LM-010-FLP3CW-75W	75W	8250 Lm	6000K	260x275x303mm
LM-010-FLP3NW-75W	75W	8250 Lm	4000K	260x275x303mm
LM-010-FLP3WW-75W	75W	8250 Lm	3000K	260x275x303mm

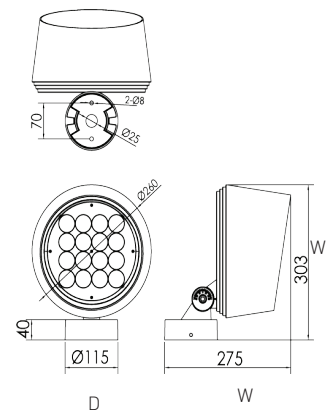


Description

Lyte Master Focus is an LED landscape elevation projector light. They are an energy-efficient solution for architectural lighting, garden lighting, outdoor accent lighting, tree up-lighting, and sign lighting. The light source is a high efficiency and advanced technology LED system. The housing material is extruded aluminium with anti-corrosion and weatherproof features.

Area of Application

Facade, Garden & Focus Light



IK07			
IP66	DALI	1-10 DIMMING	PHASE DIMMING
LM-80	RoHS	LED	SMD
CRI >90	RoHS	CE	Series Wiring
100-240V 50/60Hz		DC 36V	
LED DRIVERS	MW	TRIDONIC	Lyte Master

LED CHIPS: bridgeLux, CREE