



FEATURES

- Housing: Extruded Aluminium.
- Diffuser: Tempered Glass.
- Reflector: PMMA Lens
- Light Source: BridgeLux USA
- Life Span: 50,000 Hrs
- Operating Temp: -20°C to 50°C

Manufactured in accordance with all International Standards

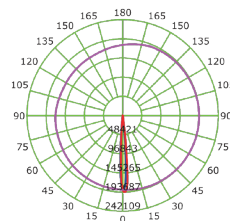
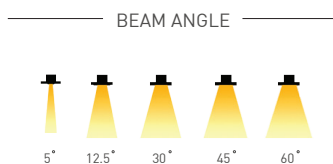
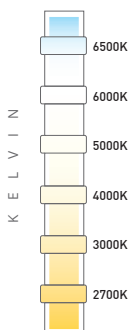
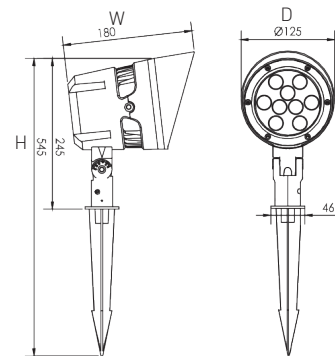
Product Model	Total Power	Lumen	CCT	Dimension DxWxH
LM-010-FLSPICW-3W	3W	300 Lm	6000K	85x128x318mm
LM-010-FLSPINW-3W	3W	300 Lm	4000K	85x128x318mm
LM-010-FLSPIWW-3W	3W	300 Lm	3000K	85x128x318mm
LM-010-FLSPICW-6W	6W	600 Lm	6000K	85x128x318mm
LM-010-FLSPINW-6W	6W	600 Lm	4000K	85x128x318mm
LM-010-FLSPIWW-6W	6W	600 Lm	3000K	85x128x318mm
LM-010-FLSPICW-10W	10W	1000 Lm	6000K	125x180x545mm
LM-010-FLSPINW-10W	10W	1000 Lm	4000K	125x180x545mm
LM-010-FLSPIWW-10W	10W	1000 Lm	3000K	125x180x545mm
LM-010-FLSPICW-20W	20W	2000 Lm	6000K	125x180x545mm
LM-010-FLSPINW-20W	20W	2000 Lm	4000K	125x180x545mm
LM-010-FLSPIWW-20W	20W	2000 Lm	3000K	125x180x545mm
LM-010-FLSPICW-30W	30W	3000 Lm	6000K	165x228x567mm
LM-010-FLSPINW-30W	30W	3000 Lm	4000K	165x228x567mm
LM-010-FLSPIWW-30W	30W	3000 Lm	3000K	165x228x567mm

Description

Lyte Master Wiese has promising LED source giving high performances while saving energy, in the respect of all the modern norms and the human health comfort and safety. The light is bright, uniform and intense but comfortable, with low glare ratings. Wiese can be used for outdoor use. Its simple frame houses an energy efficient LED light source, which ensures excellent performances and energy saving at the same time.

Area of Application

Garden Spike & Trees Spike



IK07			
IP66	DALI	1-10 DIMMING	PHASE DIMMING
LM-80	Energy Star	LED	SMD
CRI >90	RoHS	CE	Series Wiring
100-240V 50/60Hz		DC 12V	
LED DRIVERS	MW	TRIDONIC	Lyte Master

LED SOURCES: bridgeLux, CREE, Lyte Master