

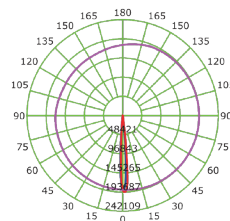
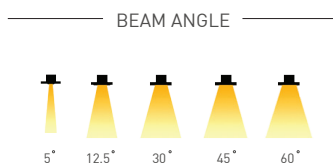
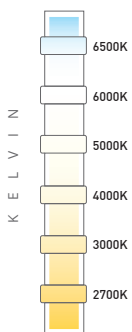


## FEATURES

- Housing: Extruded Aluminium.
- Diffuser: Tempered Glass.
- Reflector: PMMA Lens
- Light Source: BridgeLux USA
- Life Span: 50,000 Hrs
- Operating Temp: -20°C to 50°C

Manufactured in accordance with all International Standards

Product Model	Total Power	Lumen	CCT	Dimension DxWxH
LM-010-GSL5RCW-3W	3W	300 Lm	6000K	80x140x300mm
LM-010-GSL5RNW-3W	3W	300 Lm	4000K	80x140x300mm
LM-010-GSL5RWW-3W	3W	300 Lm	3000K	80x140x300mm
LM-010-GSL5RCW-5W	5W	500 Lm	6000K	80x140x300mm
LM-010-GSL5RNW-5W	5W	500 Lm	4000K	80x140x300mm
LM-010-GSL5RWW-5W	5W	500 Lm	3000K	80x140x300mm
LM-010-GSL5RCW-7W	7W	700 Lm	6000K	160x250x410mm
LM-010-GSL5RNW-7W	7W	700 Lm	4000K	160x250x410mm
LM-010-GSL5RWW-7W	7W	700 Lm	3000K	160x250x410mm
LM-010-GSL5RCW-9W	9W	900 Lm	6000K	160x250x410mm
LM-010-GSL5RNW-9W	9W	900 Lm	4000K	160x250x410mm
LM-010-GSL5RWW-9W	9W	900 Lm	3000K	160x250x410mm
LM-010-GSL5RCW-12W	12W	1200 Lm	6000K	160x250x410mm
LM-010-GSL5RNW-12W	12W	1200 Lm	4000K	160x250x410mm
LM-010-GSL5RWW-12W	12W	1200 Lm	3000K	160x250x410mm

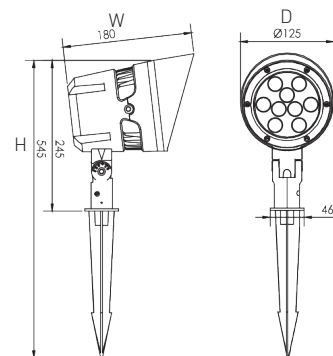


## Description

Lyte Master Trine has promising LED source giving high performances while saving energy, in the respect of all the modern norms and the human health comfort and safety. The light is bright, uniform and intense but comfortable, with low glare ratings. Trine can be used for outdoor use. Its simple frame houses an energy efficient LED light source, which ensures excellent performances and energy saving at the same time.

## Area of Application

Garden Spike & Trees Spike



IK07			
IP66	DALI	1-10 DIMMING	PHASE DIMMING
LM-80	Energy Star	LED	SMD
CRI >90	RoHS	CE	Series Wiring
100-240V   50/60Hz		DC 12V	
LED DRIVERS	MW	TRIDONIC	Lyte Master

LED SOURCES: bridgeLux, CREE, Lyte Master