

## SPECIFICATION FOR APPROVAL



**Product Model:** LM-010-SP68-WW

**Product Name:** LED PAR 64 Underwater Bulb

### Technical Data

#### Electrical Data

|                        |            |
|------------------------|------------|
| <b>Nominal Wattage</b> | 35W, 42W   |
| <b>Nominal Voltage</b> | AC 85-265V |
| <b>Type of Current</b> | AC         |

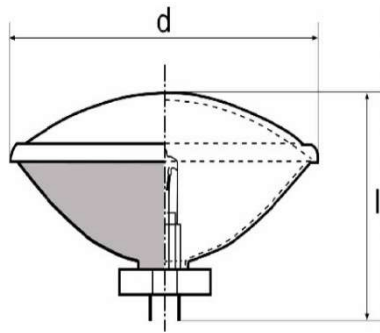
#### Light Technical Data

|                                 |                 |
|---------------------------------|-----------------|
| <b>Color Temperature</b>        | 3000K,          |
| <b>Luminous Flux</b>            | 3325Lm, 3990Lm  |
| <b>Lumen per Watts</b>          | 95Lm            |
| <b>Beam Angle</b>               | 120°            |
| <b>Color Rendering Index Ra</b> | 80              |
| <b>Light Source</b>             | Bridgelux U.S.A |

#### Dimension & Weight

|                       |                 |
|-----------------------|-----------------|
| <b>Dimension</b>      | L152mm * φ204mm |
| <b>Product Weight</b> | 2.4Kg           |

## Dimension



$l = 152\text{mm}$

$d = 204\text{mm}$

## Product Benefits

- ◆ Quick, simple and safe replacement without rewiring
- ◆ Low maintenance costs thanks to long lifetime
- ◆ Energy savings of more than 65%
- ◆ Instant-on light, therefore ideally suitable in combination with sensor technology
- ◆ Maximum resistance to switching loads
- ◆ Correct operation even at low temperatures

## Product Features

- ◆ LED alternative to classic PAR 64 fluorescent lamps in underwater luminaires
- ◆ Uniform illumination
- ◆ Wide beam angle: 120°
- ◆ Integrated ECG with high power factor
- ◆ Mercury-free and RoHS compliant
- ◆ Type of protection: IP68

## Installation Instructions

- ◆ For new application, please use the assistance of a qualified technician.
- ◆ For replacement application, please remove the existing PAR lamp and fix the new LED PAR lamp. Please use the standard voltage supply source of 85-265V as input.

**Colors & Materials**

|                     |     |
|---------------------|-----|
| <b>Mercury Free</b> | Yes |
|---------------------|-----|

**Temperatures**

|                                  |               |
|----------------------------------|---------------|
| <b>Ambient Temperature Range</b> | -20°C ~ +45°C |
|----------------------------------|---------------|

**Additional Product Data**

|                      |                            |
|----------------------|----------------------------|
| <b>Cover Type</b>    | Frosted                    |
| <b>Power Supply</b>  | Lyte Master                |
| <b>Body Material</b> | Aluminium + Tempered Glass |

**Standards**

|                              |      |
|------------------------------|------|
| <b>Type of Protection</b>    | IP68 |
| <b>Mechanical Protection</b> | IK02 |

**Warranty clause**

- **Product warranty**

Lyte Master GmbH warranty the products within 5 years from delivering to customers. In the case of any flickering, power supply/driver is not operational or any other manufacturing defects / mal function, the product will be repaired or replaced.

- **Disclaimer and limitation**

1. Under any circumstances, any quality problems compensation should be within the warranty period.
2. The product warranty does not include: Product damage caused by.
  - 2.1 The negligence of storage, transportation or improper handling.
  - 2.2 Incorrect operation or not proper usage of product.
  - 2.3 Any damage caused by repair or modifications from unauthorized person.
  - 2.4 Caused by the forces of nature, irresistible factors of product damage, such as Earthquakes, typhoons, tornadoes, volcanic eruptions, floods, lightning, heavy snow, war, etc.
3. If the product serial number has been changed, altered or blur, it will no longer enjoy the corresponding Warranty.
4. This warranty is not responsible for repair or replacement of the transport, customs clearance fee.

**Application**

- ◆ Swimming pools, Water Features

**Notes:**

Non-professionals are not allowed to disassemble and maintain the products. We have the right not to provide after-sale service if unauthorized disassembly and maintenance happens to the products.